

Ordering Instructions / Part Numbering System for OSP Series Electric Actuators

1	2	3	4	5	6
series	bore	lead	shaft	mount	double mount
E Electric	0 20 2 25	0 belt 1	0 right (belt) 1 left (belt)	0 if double (all and BHD) 1 std mnt (nr20) (all and BHD)	0 if single (all and BHD) 1 std mnt (nr20) (all and BHD)
H Heavy Duty Roller Guide (BHD)	3 32 5 50	2 5mm BS 3 4 10mm BS 5 6 25mm BS 7	2 double (belt) 3 4 BHD Integrated Gearbox 3:1** 5 BHD Integrated Gearbox 5:1** 6 BHD Integrated Gearbox 10:1	2 floating mount (nr25) (all) 3 invert mount (nr30) (all) 4 invert float mount (nr35) (all) 5 slideline (Ball Screw Only) 6 powerslide ps25 (25)	2 floating mount (nr25) (all) 3 invert mount (nr30) (all) 4 invert float mount (nr35) (all) 5 slideline (Ball Screw Only) 6 ps25 (one mount, two carriages)(25)
R Heavy Duty Ball Guide (BHD-II)	8 9 A B C D	BP (belt Bi-parting)	8 STD (screw) 9 2 end (screw) A B C D Clamp Shaft-Right (BHD, BV)	8 powerslide ps44 (25,32) 9 powerslide ps60 (50) A powerslide ps76 (50) B C D	8 ps44 (one mount, two carriages)(25,32) 9 ps60 (one mount, two carriages)(50) A ps76 (one mount, two carriages)(50) B C D
S Extending Rod Ball Screw (OSP-SBR)	E F G H J		E Clamp Shaft-Left (BHD, BV) F Clamp Shaft-Close (BHD) G Clamp Shaft-Open (BHD) H Plain Shaft-Right (BV) J Plain Shaft-Left (BV)	E F G H J	E F G H J
V Belt Rack Drive (OSP-BV)	K L M N P Q R S T U V W X Y Z		K Hollow Shaft-Right (BHD, BV) L Hollow Shaft-Left (BHD, BV) M Hollow Shaft-Close (BHD) N Hollow Shaft-Open (BHD) P Clamp Shaft-Right-IS (BHD, BV)* Q Clamp Shaft-Left-IS (BHD, BV)* R Clamp Shaft-Close-IS (BHD)* S Clamp Shaft-Open-IS (BHD)* T Obsolete (BHD) U Obsolete (BHD) V Obsolete (BHD) W Obsolete (BHD) X Double Plain Shaft-Right (BV) Y Double Plain Shaft-Left (BV) Z special	K L M N P Proline/GDL (all) R S T U OSP-BV Reserved V OSP-BV Size 20 W OSP-BV Size 25 X Y HD Heavy Duty Series Screw (25,32,50) Z special	K L M N P Proline/GDL (all) R S T U V W X Y Z special

Drive Shaft Options (OSP-E)

0 = Standard

1 =

2 =

Actuating Direction Options - BHD

Right D, K and P = Standard

Left E, L and Q =

Close F, M and R = Standard Bi-Parting

Open G, N and S =

*For use with intermediate shaft
**Consult factory before ordering
***All Options in Box are for Column 4 - Shaft

Drive Shaft Options (OSP-E-BV)

J Plain Shaft-Left (BV)

H Plain Shaft-Right (BV)

Y Double Plain Shaft-Left (BV)

X Double Plain Shaft-Right (BV)

E Clamp Shaft-Left (BV)

Q Clamp Shaft-Left-IS (BHD, BV)*

D Clamp Shaft-Right (BHD, BV)

P Clamp Shaft-Right-IS (BHD, BV)*

L Hollow Shaft-Left (BHD, BV)

K Hollow Shaft-Right (BHD, BV)

Shaft Options Example:

7*	8	9*	10	11	12	13	14	15	16	17	18
motor mount	screws & coating	support	center support qty	switch	switch qty	stroke (mm)					
0 none and Standard BHD	0 std	0 none and BHD	0 none	0 none	0	-	0	0	0	0	0
1 mes-2504 (belt)(25)	1 stainless hardware	1		1 no reed KL3045 (all)	-						
2 mes-3204 (belt)(32)	2 xylan coated aluminum	2		2 nc reed KL3048 (all)	-						
3 mes-5004 (belt)(50)	3 stainless/xylan	3		3 pnp KL3054+4041(all)	-						
4 mes-5008 (belt)(50)	4 purge ports	4		4 npn KL3060+4041 (all)	-						
5 mei-2523 (belt)(25)	5 purge / stainless	5		5	-						
6 mei-3234 (belt)(32)	6 purge / stainless / xylan	6		6	-						
7 mei-5034 (belt)(50)	7	7		7	-						
8 mgm-3234 (belt)(32)	8	8		8	-						
9 mgm-5034 (belt)(50)	9	9		9	-						
A mas-2501 (screw)(25)	A	A		A	-						
B mas-3204(screw)(32)	B	B D1 (all)		B	-						
C mas-5004P(screw)(50)	C	C E1 (all)		C	-						
D mas-5008(screw)(50)	D	D E2 (all)		D	-						
E mai-2517 (screw)(25)	E	E E3 (all)		E	-						
F mai-3223 (screw)(32)	F	F E4 (all)		F	-						
G mai-5034 (screw)(50)	G	G A1+D1 (25,32)		G	-						
H mas-5008p (screw)(50)	H	H B1+D1 (25,32)		H	-						
J mei-5042 (belt)(50)	J	J C1+D1 (50)		J	-						
K mai-3101 (screw)(32)	K	K A1+E1 (25,32)		K	-						
L mai-3234 (screw)(32)	L	L B1+E1 (25,32)		L	-						
M mei-3223 (belt)(32)	M	M C1+E1 (50)		M	-						
N mai-2523 (screw)(25)	N	N A2+E2 (25,32)		N	-						
P mgm-3223 (belt)(32)	P	P C2+E2 (50)		P	-						
Q mgm-5034S (screw)(50)	Q	Q A3+E3 (25,32)		Q	-						
R mgm-3223S (screw)(32)	R	R		R	-						
S mes-3208 (belt)(32)	S	S C3+E3 (50)		S	-						
T Belt Gear 1:1 (Screw Only)	T	T B4+E4 (25,32)		T	-						
U Belt Gear 2:1 (Screw Only)	U	U C4+E4 (50)		U	-						
V	V	V		V	-						
W	W	W		W	-						
X	X	X		X	-						
Y Optional BHD (see below)	Y	Y		Y	-						
Z special	Z special	Z special		Z special	-						

7* (BHD) Non-standard KB and KL dimensions must be specified on a separate line item (use "Z" in part number).

7* (BHD) Order motor mount and/or gearbox as a separate line item (contact customer service).

7* Contact customer service if non-standard motor mounting holes are required.

9* (BHD) Order supports as a separate line item.

9* Only one end support is supplied in the OSP-E part number. If more than one is required, please order additional end supports as a separate line item.



Electric Actuator Application Sheet

Distributor: _____

End-User: _____

Salesperson: _____

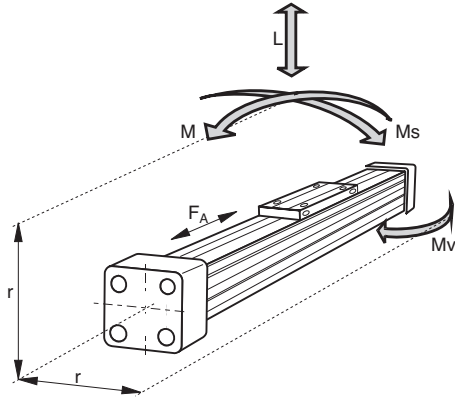
Phone: _____

Fax: _____

Stroke: _____ Time to make move: _____ Load: _____ Incline: _____

Check if load is externally supported

Actuator type: _____



M = _____

MS = _____

MV = _____

Description: _____

See Attached for info /a additional info

Special Features Required:

Switches Type _____ Qty. _____

Controller Needed

Servo Motor Needed

Stepper Motor Needed

Customer Supplied Motor

Please complete and fax to: 630/871-1515, Attention: Technical Support

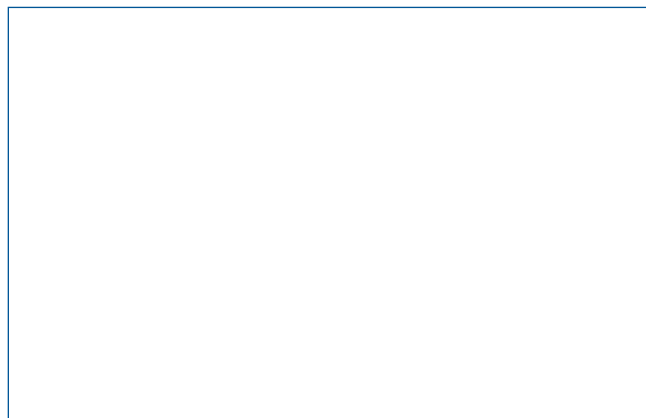
HOERBIGER-ORIGA

... your competent partner with global service and distribution



- AE** HOERBIGER SERVICE MIDDLE EAST FZE • Jebel Ali Free • P.O. Box 07153 • Dubai, United Arab Emirates
Tel. +971 +4 8814567 • Fax +971 +4 8817123 • e-mail: office@hoerbiger.ae
- AT** HOERBIGER-ORIGA Pneumatik GmbH • Dr. Alexander-Schärf-Straße 12 • AT-2700 Wiener Neustadt
Tel. +43 +2622 26071-269 • Fax +43 +2622 26071-266 • e-mail: info-hoat-sales.pn@hoerbiger.com
- AU** HOERBIGER AUSTRALIA PTY.LTD. • 21 David Street • AU-3175 Dandenong, Victoria
Tel. +61 (0)3 9793 9488 • Fax +61 (0)3 9706 8152 • e-mail: info-hoau-sales@hoerbiger.com
- CH** HOERBIGER-ORIGA AG • Industriestr. 30 • CH-8112 Otelfingen (Zürich)
Tel. +41 (0)1 846 6860 • Fax +41 (0)1 846 6870 • e-mail: info-hoch-sales@hoerbiger.com
- CN** HOERBIGER (WUXI) AUTOMATION TECHNOLOGY CO., LTD. • A2-A, Machinery & Electronics Park • Wuxi National High-Tech Zone
Wuxi 214028, China • Tel. +86 510 8520 3468 • Fax +86 510 8520 3498 • e-mail: info-wuxi@hoerbiger.com
- DE** HOERBIGER-ORIGA GmbH • Industriestr. 8 • DE-70794 Filderstadt
Tel. +49 (0)7158 1703-0 • Fax +49 (0)7158 64870 • e-mail: info-hode-sales@hoerbiger.com
- ES** HOERBIGER-ORIGA S.A. • Pol. Ind. El Nogal • c/Nogal 8 • ES-28110 Algete (Madrid)
Tel. +34 91 629 09 00 • Fax +34 91 629 24 08 • e-mail: origa@hoerbigeroriga.es
- FR** HOERBIGER-ORIGA S.A. • 11 avenue de Norvège • FR-91978 Courtaboeuf
Tel.+33 (0)1 69 29 22 00 • Fax +33 (0)1 69 29 22 10 • e-mail: info-hofr-sales@hoerbiger.com
- GB** HOERBIGER-ORIGA Ltd. • Unit 12 Brunel Court • Waterwells Business Park • Gloucester GL2 2AL, UK
Tel. +44 8700 600655 • Fax +44 8700 600656 • e-mail: info-hogb-sales@hoerbiger.com
- IT** HOERBIGER-ORIGA S.R.L. • Via Martiri della Libertà 4/6 • IT-20060 Liscate (MI)
Tel. +39 02 95 35 03 07 • Fax +39 02 95 35 05 13 • e-mail: info-hoit-sales@hoerbiger.com
- NL** HOERBIGER-ORIGA B.V. • Plaza 11C • NL-4782 SL Moerdijk
Tel. +31 168 356 600 • Fax +31 168 356 601 • e-mail: info-honl-sales@hoerbiger.com
- NO** HOERBIGER-ORIGA AS • Postboks 2173 Strømsø • NO-3003 Drammen
Tel. +47 3 288 08 40 • Fax +47 32 82 83 20 • e-mail: info-hose-sales@hoerbiger.com
- MY** HOERBIGER-ORIGA Sdn Bhd • No. 10 & 12 Lorong IKS Juru 3 • MY-14100 Juru, Simpang Ampat, Penang
Tel. +60 (0)4 508 10 11 • Fax +60 (0)4 508 21 22 • e-mail: info-hosg-sales@hoerbiger.com
- PT** HOERBIGER-ORIGA S.A. • Rua Luz Soriano, 42 • P-4200-380 Porto
Tel. +35 1 22 550 71 79 • Fax +35 1 22 509 22 51 • e-mail: hoerbigerportugal@sapo.pt
- SE** HOERBIGER-ORIGA AB • Kungsgatan 14, Box 67 • SE-73622 Kungsör
Tel. +46 227 411 00 • Fax +46 227 411 29 • e-mail: info-hose-sales@hoerbiger.com
- US** HOERBIGER-ORIGA Corporation • 100 West Lake Drive • IL-60139 Glendale Heights, Illinois, USA
Tel. +1 630 871 830-0 • Fax +1 630 871 1515 • e-mail: info-hous-market@hoerbiger.com

The right to introduce technical modifications is reserved



www.hoerbiger-origa.com
www.origa-service.com
www.hoerbiger.com

